

NoDig d.o.o.

ODŠTOPAVAČ V8

OPERATION & SAFETY MANUAL



WARNING

*These instructions are for your personal safety. Always ensure that you have read and understood these instructions before using the machinery. **SAVE THESE INSTRUCTIONS FOR FUTURE REFERENCE.***

TABLE OF CONTENTS

SAVE ALL WARNINGS AND INSTRUCTIONS FOR FUTURE REFERENCE

Safety Information	3
General Machine Safety Information	4
Environment, Transport, Storage & Disposal	5
General Information	6
Technical Data	7
Intended Use	7
Voltage & Power Supply	8
Safety Features	8
Noise Levels, Vibrations & Emissions	9
CE Declaration of Conformity	10
Operating Instructions	11
Starting & Using the Machine	11
Attaching Tools	12
Maintenance Programme & Warranty Periods	13
Maintenance	14
Changing Flexible Shaft	14
Servicing Flexible Shaft	15
Accessories & Spare Parts	16
Practical Tips & Safety Advice	17

SAFETY INFORMATION

SAVE ALL WARNINGS AND INSTRUCTIONS FOR FUTURE REFERENCE

WARNING

This section contains important safety information. Failure to comply could result in serious injury.

Safety Symbols

Safety symbols are used throughout this manual to draw attention to potential hazards.



Danger risk of serious injury, follow instructions.



Danger risk of serious injury from rotating parts, follow instructions.



Danger risk of serious injury from hot parts, follow instructions.



Danger do not touch. Risk of injury, follow instructions.

Personal Protective Equipment (PPE)

Always use Personal Protective Equipment including suitable protective clothing, footwear, plus:



Suitable eye protection to protect against sewage, chemicals or dust from irritating eyes.



Suitable ear protection to protect against hearing loss.



Suitable heat and cut-resistant gloves to help prevent any hand injuries. Any open injuries or skin irritations should always be covered to avoid contact with sewage, chemicals or dust.



Suitable respirator to prevent any dust or fumes being inhaled or consumed, which could cause occupational asthma or dermatitis.

GENERAL MACHINE SAFETY INFORMATION

SAVE ALL WARNINGS AND INSTRUCTIONS FOR FUTURE REFERENCE

WARNING

This section contains important safety information. Failure to comply could result in serious injury or death.

Always read all safety warnings and instructions. Failure to follow warnings and instructions may result in electric shock, fire and/or serious injury.



1. **Always wear eye and ear protection as well as heat and cut-resistant gloves.**

Other personal protective equipment, such as dust mask, gloves and overalls should be worn when necessary. Dust produced when working

can be dangerous to your health, inflammable or explosive. **Always wear appropriate personal protective equipment.**

2. Make sure the pipe has been opened and ventilated to prevent any gases accumulating.

3. Always ensure that the machine is fully turned off and unplugged before inspection, maintenance, or installing any accessories to the machine. Always follow the instructions in the manufacturer's manual.

4. **Before each use** inspect the machine carefully for any potential break or damage. **Change damaged parts immediately.** It is especially important to check the end of the shaft for any signs of wear and tear, and repeat the process for the outer casing.

5. When in use, it is very important that the machine is stable and on an even surface at all times.

6. **Never leave the machine running unattended.** Always hold the cable when operating the machine.



7. **Do not touch the Cutter or Grinding Chains immediately after use,** they may be hot and could burn your skin.

8. Make sure that the job location is well ventilated before grinding or drilling. Always use a vacuum extraction system in the pipe to remove dust. The operator must wear a dust mask when using dry grinding to clean pipes.

9. Ensure that the ventilation openings are kept clear when working in dusty conditions. If it should become necessary to clear dust, first unplug the machine. Avoid damaging internal parts.

10. **Do not use the machine on any pipes containing asbestos fibres.**

11. **Never touch rotating parts.** Do not stand on the machine.



12. Only use this machine with the accessories and spare parts offered by the Picote Solutions. Accessories and spare parts should only be used in the manner intended and as described by Picote Solutions.

ENVIRONMENT, TRANSPORT, STORAGE & DISPOSAL

SAVE ALL WARNINGS AND INSTRUCTIONS FOR FUTURE REFERENCE

⚠ WARNING This section contains important safety information. Failure to comply could result in serious injury or death

ENVIRONMENTAL

Operational Ambient Temperature Range:	-10 oC to 50 oC (14 oF to 122 oF) frost and condensation free
Storage Ambient Temperature Range:	-20 oC to 60 oC (-4 oF to 140 oF) frost and condensation free
Maximum Humidity:	90% non-condensing

TRANSPORT

Odštopavač V8 should be transported in a car or other vehicle and laid down and secured with ratchet straps to prevent any sudden movements or accidents caused by hard braking or accident.

Never transport the machine with tool attached to the shaft.

STORAGE

Odštopavač V8 should be stored indoors to protect them from rain and sunlight, and also in a constant ambient temperature. The best way to store the machines is using the same box that the machine has been shipped in.

If the O. V8 has been stored in an environment colder than +10 oC or 50 oF, the machine should be stood at room temperature for 24 hours before use.

If the O. V8 has been stored for long periods of time (over 2-3 months), it should be checked and tested according to the maintenance programme before use.

Charge the machine battery to around 80% before storing for long periods. **NEVER leave the battery unit unattended while it is charging.**

DISPOSAL

O. V8 motor, control box, battery charger, electric wires, axle package including slip ring, can be disposed in Europe at Waste Electrical and Electronic Equipment (WEEE) collection points. The O. V8 frame, reel, flexible shaft and name plate can be recycled in metal waste collection points. Outer casing of the shaft and the plastic supports can be disposed of as plastic waste.

Always follow local waste handling rules and regulations.

Recycle Li-ion batteries according to local regulations. **Do not dispose of in fire! Do not puncture!**



GENERAL INFORMATION

SAVE ALL WARNINGS AND INSTRUCTIONS FOR FUTURE REFERENCE



CAUTION When in use always lay the machine down horizontally on the ground.

TECHNICAL DATA

SAVE ALL WARNINGS AND INSTRUCTIONS FOR FUTURE REFERENCE

Size (mm/inches)	Shaft (mm/ inches)	Range (m/ft)	Pipe Diameter (mm/inches)	Rotating Speed (rpm)	Output (W)	Power Source	Weight (kg/lbs)
740x519x404 29"x20"x16"	8 / 3/8"	16 / 50'	DN50-DN100 1 31/32" - 3 15/16"	550-2200	18V/54V:9aH	Accu- drill	15 / 30

INTENDED USE This machine is intended for the following uses; 1. Cleaning and unblocking pipes, drains and sewers by grinding.
2. Descaling pipes.
3. Opening lateral connections.
4. Internal pipe coating using the SprayPoxy Sewer Coating System.

AVAILABLE TOOLING

Always follow the NoDig d.o.o. instructions when installing and using the machine with accessories.

VOLTAGE & POWER SUPPLY

SAVE ALL WARNINGS AND INSTRUCTIONS FOR FUTURE REFERENCE

The Machine is supplied with original equipment for the DeWalt XRP accu - drill including charger, batteries and safety instructions.

SAFETY FEATURES



The machine is equipped with an external manual switch that does not maintain a permanently closed circuit. Constant pressure on the switch is sufficient for operation. When you release the pressure on the switch, the machine turns off.

NOISE LEVELS, VIBRATIONS & EMISSIONS

SAVE ALL WARNINGS AND INSTRUCTIONS FOR FUTURE REFERENCE

⚠ WARNING

This section contains important safety information. Failure to comply could result in serious injury or loss of hearing.

The typical A-weighted noise level determined according to **EN60745**:



WEAR EAR PROTECTION

Sound pressure level (LpA): 90 dB (A)

Sound power level (LWA): 103 dB (A)

Emissions during actual use of the machine can differ from declared values depending on the ways that the machine is used. Safety measures to protect the operator should be determined by actual conditions, taking into account all aspects of the operating cycle (such as when the machine is switched off and when it is running idle).

Due to continuing product development, the specifications herein are subject to change without notice

VIBRATION Hand vibration levels depend on the distance from the tool head to the user and working conditions. The vibration levels below have been measured during normal lining activities. Vibration has been determined according to ISO-5349 and EU-directive 2002/44/EG.

Safe daily exposure time for user:

Exposure Action Value (EAV) 2,5 m/s²

Exposure Limit Value (ELV) 5,0 m/s²

CE DECLARATION OF CONFORMITY

SAVE ALL WARNINGS AND INSTRUCTIONS FOR FUTURE REFERENCE

We NoDig d.o.o. as the responsible manufacturer, declare that the following Odštopavač V8, cleaning, unclogging, coating and opening of lateral joints machine:

Conforms to the following EU Directive:

2006/42/EY

And is manufactured in accordance with the following standards or standardised documents:

EN62841-1 EN62841-13 ISO-5349-1:2001

The technical documentation is kept by

NoDig d.o.o.

Vukovarska cesta 284

31000 Osijek

Croatia

OPERATING INSTRUCTIONS

SAVE ALL WARNINGS AND INSTRUCTIONS FOR FUTURE REFERENCE

Before operation:

⚠ WARNING



- Before installing tools, always make sure that the machine is fully turned off and the battery charger unplugged.

⚠ CAUTION



- Always round off the sharp edges of the shaft to avoid cuts and to make it easier to insert the shaft into the tool or for a leader to be used.

- Check that there is the correct length of flexible shaft (without its plastic casing) at the end of the flexible shaft and that all screws have been loosened so that the shaft can be easily inserted inside the tool. Position the shaft inside the tool, as far as it will go, and tighten the screws.

Consult accessory operating manuals for detailed information.

While in operation:

Always lay the machine down horizontally on the floor. During drilling, grinding and cutting processes, always use a separate vacuum extraction system or run water in the drain to remove dust.

STARTING & USING THE MACHINE

⚠ WARNING *This section contains important safety information. Failure to comply could result in serious injury*

1. Place the tool inside the pipe.
2. Turn on the power switch.
3. Rotating the tool slowly makes it easier to move the tool forward inside the pipe.

OPERATING INSTRUCTIONS

SAVE ALL WARNINGS AND INSTRUCTIONS FOR FUTURE REFERENCE

ATTACHING TOOLS

TIGHTENING THE SET SCREWS

When you add a tool always tighten the screws starting from the screw furthest away from the end of the flexible shaft (where applicable).



MAINTENANCE PROGRAMME & WARRANTY PERIODS

SAVE ALL WARNINGS AND INSTRUCTIONS FOR FUTURE REFERENCE

Maintenance task	Months			
	3	6	12	24
Tightness of motor fixing			I	I
Condition of frame			I	I
Condition of wheels & rubber bushes			I	I
Condition of control box			I	I
Condition of electric cables	I	I	I	P
Condition of electrical connections	I	I	I	I
Lubricate Shaft	P	P	I	P

I: Inspect, fix or replace if needed.

P: Perform, replace if needed.

WARRANTY PERIODS

NoDig d.o.o. grants one year limited warranty for machines, and the manufacturers warranty for the accu-drill.

MAINTENANCE

SAVE ALL WARNINGS AND INSTRUCTIONS FOR FUTURE REFERENCE

! WARNING



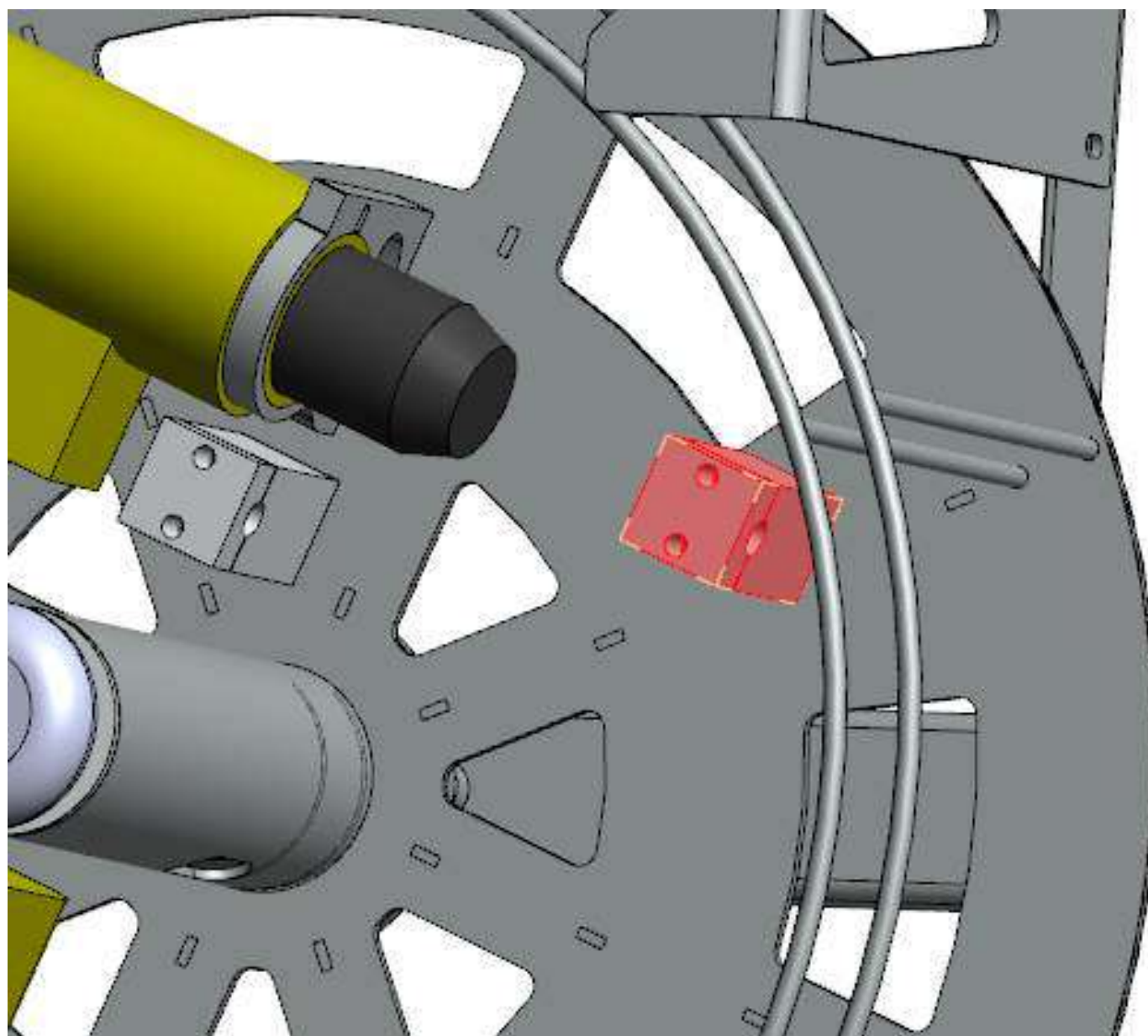
1. Before performing any maintenance always check that the machine is **fully turned off and battery removed**.
2. Always inspect the flexible shaft before each use. If there are potential weak points, or the shaft is damaged, cut off the damaged length using a band saw or replace the entire shaft as needed.
3. For safety and efficiency always keep the machine and its motor, drive unit, ventilation and cooling slots clean.
4. Check that all the bolts and screws on the machine are securely tightened.

CLEANING THE MACHINE

Do not pour or spray water on the machine! Use a damp cloth with mild soap solution to clean the surfaces.

REPLACING THE FLEXIBLE SHAFT

Loosen the set screws on the shaft holder. Pull out the shaft from the socket.



MAINTENANCE

SAVE ALL WARNINGS AND INSTRUCTIONS FOR FUTURE REFERENCE

SERVICING THE FLEXIBLE SHAFT & ITS OUTER CASING

The flexible shaft is pre-treated with lubricant. Always inspect the condition of the shaft and its outer casing regularly. Also, inspect at least once a week that the shaft is well attached to the machine. If the shaft appears to have gaps between the windings from the beginning to the end, the entire shaft will need to be replaced.

Lubricant can be added between the flexible shaft and its outer casing when the shaft is attached to the machine. To add lubricant the shaft has to be disconnected from the clutch and removed from the reel. Around 1 -1.5m (3-5ft) of shaft should be removed from the outer casing, with the lubricant applied to the inside of the casing. No more than **20ml/20g/1oz** will be required for the entire shaft. Too much lubricant can cause a strain on the shaft. After the lubricant has been poured, the free shaft end should be pushed through the outer casing. The shaft will push the lubricant evenly inside the outer casing. Connect the shaft to the machine and rotate on a low rotation speed so that the shaft will push excess lubricant to the outside. Use a mat to protect the work area under the machine to prevent damage to floors.

Keeping the shaft well lubricated will prolong its lifespan and decrease the friction caused by the shaft while it turns round. Lower friction will decrease the burden caused to the motor.

If preferred, the shaft can be taken out of its outer casing for lubrication.

Appropriate oil is available from your reseller.

ACCESSORIES & SPARE PARTS

SAVE ALL WARNINGS AND INSTRUCTIONS FOR FUTURE REFERENCE

Shaft - 20 m / 60 ft
Shaft holder

PRACTICAL TIPS & SAFETY ADVICE

SAVE ALL WARNINGS AND INSTRUCTIONS FOR FUTURE REFERENCE

Here are some useful tips on how to get the most out of your Picote system. Always use the recommended tools for maintenance to avoid personal injury.



CUTTING THE FLEXIBLE SHAFT



Always inspect the flexible shaft before each use. Run the machine briefly in a clockwise direction to allow the shaft to return to its resting position. If there are potential weak points or the shaft is damaged, cut off the damaged length using a band saw. For most tools, the shaft should extend approximately 40mm (1 ½") past the outer casing.

CUTTING THE OUTER CASING



Always inspect the shaft outer casing before each use. The easiest and safest way to shorten the outer casing to the correct length is using a Sheath Cutter.

Only the necessary amount of bare shaft should be exposed at any time.



PRACTICAL TIPS & SAFETY ADVICE

SAVE ALL WARNINGS AND INSTRUCTIONS FOR FUTURE REFERENCE

Always use the recommended tools for maintenance to avoid personal injury.



ADDING A VISUAL MARKER FOR SAFETY



Attach a visual marker (tape) on the outer casing of the flexible shaft. Place it around 500mm (20") from the end of the shaft. The marker will indicate the tool location and help prevent possible injury from the rotating parts by alerting you when the tool is about to exit the pipe.



ODŠTOPAVAČ V8

SAVE ALL WARNINGS AND INSTRUCTIONS FOR FUTURE REFERENCE



This innovative device is the result of work by experts with years of experience in unblocking and cleaning drainage pipes. It is designed for pipes with a diameter of DN 50-100 mm, with a cable length of 16 m and a diameter of 8 mm in a protective sheath, providing highly efficient cleaning with easy handling.

NODIG.D.O.O

www.nodig.hr



Authorised Resellers:

www.nodig.hr
